



P.O. Box 2956 · Syracuse · New York · 13220  
 Phone: (315) 433-1150 Fax: (315) 433-1521  
 Toll Free US & Canada (800) 334-0837  
 Email: sales@infitec.com

## FEATURES

- 24 VAC Or 120 VAC Operating Voltage
- Totally Line Isolated Low Voltage Coin Switch & Lighting Connections
- Cycle Cancel Button To Aid In Equipment Service
- Dip Switch Settable Coin Accumulator And Time Delay
- 15 Second Time Setting Resolution
- High Power Relay Contact Output, No Heatsinking Required
- Encapsulated To Withstand Harsh Environment
- UL & cUL Recognized

## SPECIFICATIONS

### 1. Time Delay.

- 1.1 Type: C/MOS microcontroller
- 1.2 Range: 15 to 945 seconds
- 1.3 Repeat accuracy:  $\pm 0.5\%$  under fixed conditions
- 1.4 Setting accuracy:  $\pm 1\%$
- 1.5 Reset/ Recycle Time: 100 milliseconds max.
- 1.6 Adjustment: 6 bit binary dip switch

### 2. Input.

- 2.1 Operating voltage: 24 VAC or 120 VAC  
(see connection diagram)
- 2.2 Tolerance:  $\pm 20\%$  of nominal
- 2.3 Frequency: 50 - 60 Hertz

### 3. Output.

- 3.1 Type: High power electromechanical relay
- 3.2 Form: SPST N.O. non-isolated
- 3.3 Rating: 20 Amperes, 1HP (120V), 1.5HP (240V)
- 3.4 Life: Full load - 100,000 operations  
Mechanical - 1,000,000 operations

### 4. Protection.

- 4.1 Transient: Movistor protected
- 4.2 Dielectric breakdown: 1500 volts RMS minimum

### 5. Mechanical.

- 5.1 Mounting: End mounting ears, #8 screw clearance (2 places)
- 5.2 Termination: (11) #6 binding head screw terminals
- 5.3 Style: Surface mount encapsulated

### 6. Environmental.

- 6.1 Operating temperature:  $-20^{\circ}\text{C}$  to  $+80^{\circ}\text{C}$
- 6.2 Storage temperature:  $-30^{\circ}\text{C}$  to  $+85^{\circ}\text{C}$
- 6.3 Humidity: 95% relative non-condensing

### 7. Accumulator.

- 7.1 Signal type: Dry contact closure or electronic coin acceptor (consult factory for specific applications)
- 7.2 Range: 1 to 15 coins
- 7.3 Adjustment: 4 bit binary dip switch

### 8. Impulse counter output.

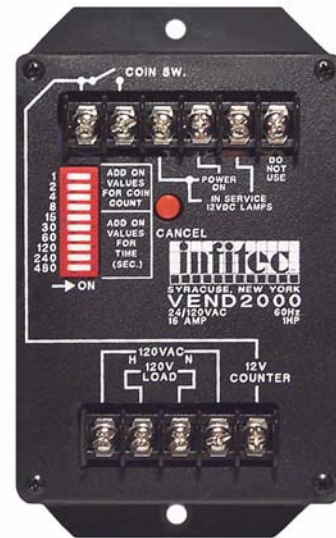
- 8.1 Type: Solid state
- 8.2 Form: SPST N.O.
- 8.3 Rating: 100 milliamperes maximum

**Note:** Use only 12VDC impulse counter rated 6VA max.

## ORDERING INFORMATION

ORDER P/N: VEND2000

# VEND2000 ENCAPSULATED POWER VENDING CONTROL



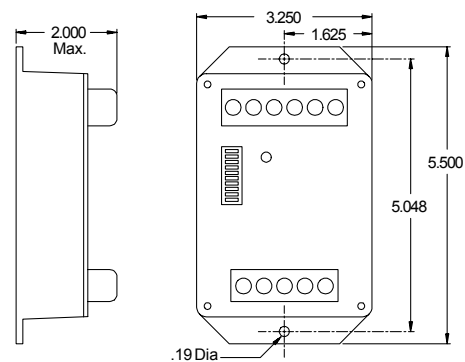
**UL**  
UL/cUL Recognized

File E125360  
UL Guide NMFT2  
cUL Guide NMFT8

## MODE OF OPERATION

Power is applied to the input terminals prior to and during timing. The power L.E.D. is on. Coin drops are counted until the set coin count is reached. In addition, each time a coin drop is counted, the impulse counter output provides a pulse to increment an external impulse counter. At this point the output contact closes, the in-service L.E.D. turns on and timing begins. Upon completion of the pre-set time delay, the output contact reverts back to its original open position, the in-service L.E.D. turns off and the control resets. Pressing the cancel button during timing will cause the output contact to revert to its original open position and will reset the control.

## DIMENSIONS



## CONNECTION DIAGRAM

